



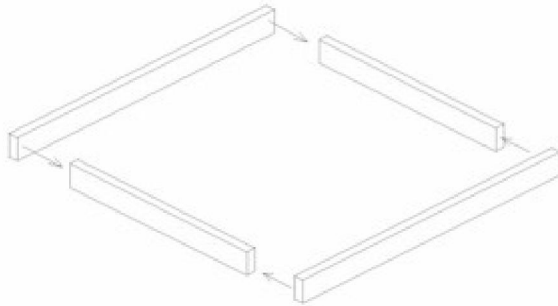
# WORKS of GLASS

114 Duff Ave • Ames, IA 50010

Phone: (515) 232-8525

Email: [Monicia@WorksofGlass.com](mailto:Monicia@WorksofGlass.com)

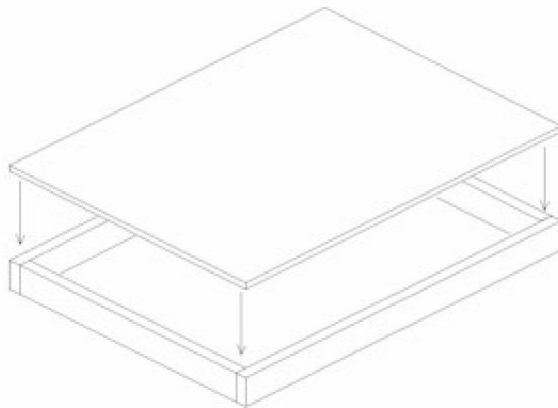
## Building Your Stained Glass Work Bench



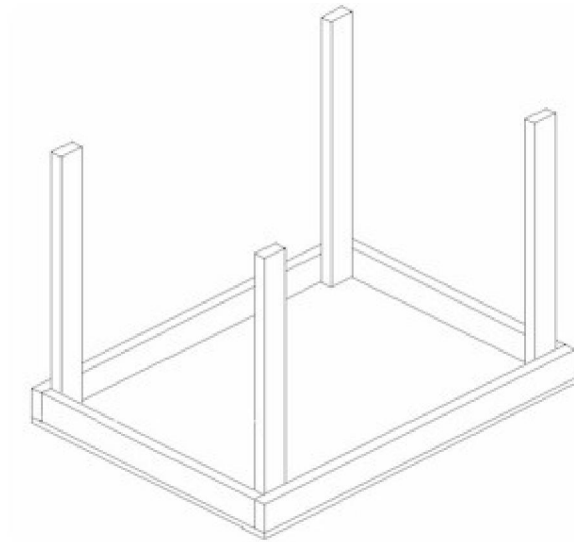
**1. You should start with the top frame:**

Made of 2 sets of two by fours, 2-48" long and 2-33" long. Total dimension of the top frame will measure 48" x 36" when screwed together. Use glue at the joints and run two 3-1/2" deck screws in the long 2 x 4's at each end to join them to the shorter boards. (Some add additional strength to the table by adding an additional short board in the middle of the frame and I do recommend this!)

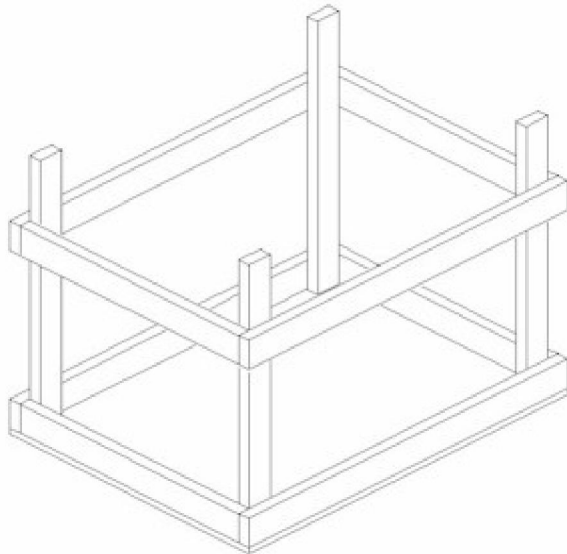
Build 2 of these frames at the same time, because the second will act as a footrest and bracing for the legs.



**2. Next, screw the 48" x 36", 3/4" (or 1/2") particle board top to the top frame (may substitute with plywood if you want). Use screws; spaced about 6 inches apart and 1 1/2 inches long, to attach the table top to the frame so that it will be easy to replace it if you ever need to.**

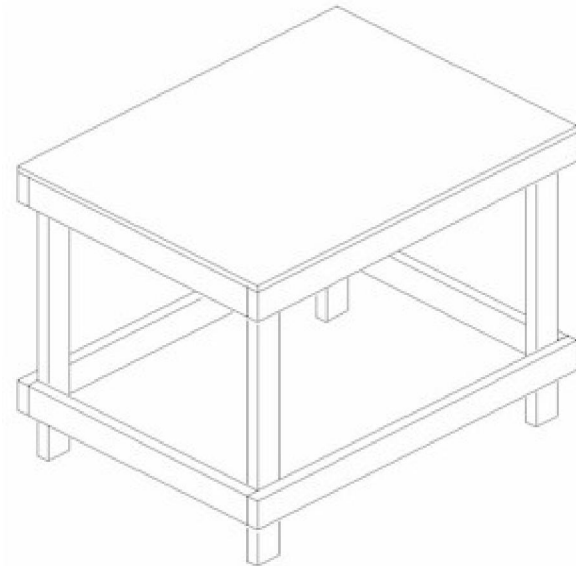


**3. Turn the table top upside down and attach the 4 32-1/2" legs to the table top. The boards will be inside the framework and touch the underside of the table top. 3-1/2" screws should be long enough to attach the legs and they should be screwed into the legs from both directions.**



**4. Before turning the table over, measure down on the legs 8" and attach the extra frame work you built in step 1. This is your foot rest/brace. When you turn the table over, the top of the frame will be 11-1/2" from the floor, a good height to be able to use as a footrest and to be able to sweep under which is very important.**

**Some folks like to add a shelf to the top of the foot rest for storing objects. This is best done when the table is turned over. Also, a 3/4" thick x 1-1/2" wide cleat added to one side of the workbench will give you a good way to use a Glastar strip cutter. Just make sure that when you table is upright and placed where you will be using it, there is space for the Glastar to run the length of the table and not run into anything.**



### **List of Materials**

**6 – 2 x 4 x 8'**

**1 –  $\frac{3}{4}$  x 3' x 4' plywood**

**3-1/2" Deck Screws**

**1" or longer screws for top attachment**

**Glue**

**Optional –  $\frac{3}{4}$  x 1-1/2" choice lumber for cleat**

### **Cut List**

**4 – Long Frame Pieces – 48"**

**4 – Short Frame Pieces – 33"**

**4 – Legs – 32-1/2"**

**1 –  $\frac{3}{4}$  x 3' x 4' particle board or plywood**

**We like to paint the top of our benches white because I think it is easier to see “things” and to brush the table off**

**Or, get fancy and build it a little longer and incorporate a light box into the table top. Just make sure it is flush with the table top.**

**Some put peg board on the sides or on the back to hang tools on and don't forget the drawers. Just don't make them too deep and buy nice gliders for the drawers so you aren't in a constant fight with them! Trust me on this one!!!**

***Monicia***